



SERVICE YOU CAN TRUST

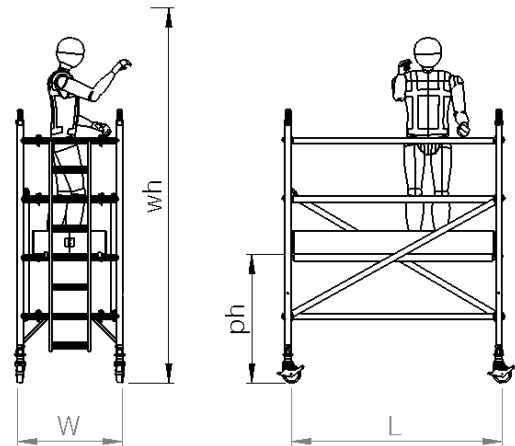
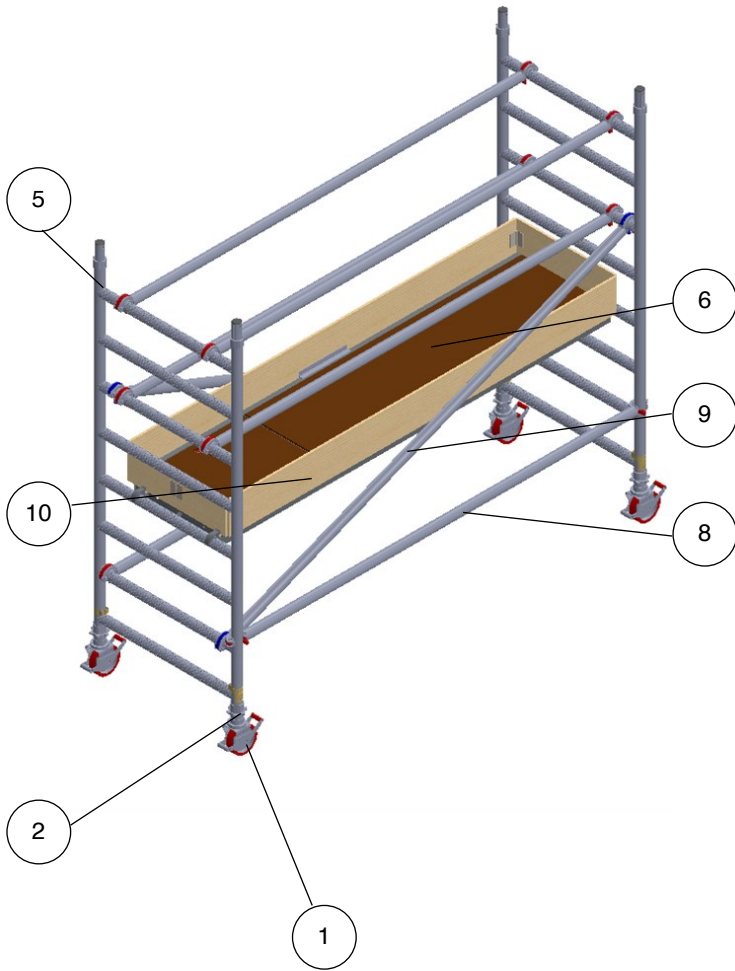
Single Width Tower
2.5m Long x 0.85m Wide

Working Height
3.2m

Platform Height
1.2m

Tower Components

Item	Description	Quantity
1	150mm Locking Caster	4
2	Adjustable Leg 500mm	4
3	1m 4 Rung Frame	0
4	1.5m 6 Rung Frame	0
5	2m 8 Rung Frame	2
6	2.5m Trapdoor Platform	1
7	2.5m Fixed Platform	0
8	2.5m Horizontal Brace	6
9	2.7m Diagonal Brace	2
10	Complete Toe Board Set	1
11	S1 Stabiliser	0
12	S2 Stabiliser	0
13	Instruction Manual & EN1004:-1:2020 certificate of conformity	1



Technical information:

Base Dimensions:	(L)2.5m X (W)0.85m
Maximum Platform Height (ph):	1.2m
Maximum Working Height (wh):	3.2m
Maximum Working Load Per Platform:	275kg
Maximum Working Load Per Tower: (including tower weight)	950kg
Weight:	81.9kg

Mr Plant Hire
120 Hertford Road Enfield
London EN3 5AX

☎ 020 8351 3434

✉ info@mrplanthire.co.uk



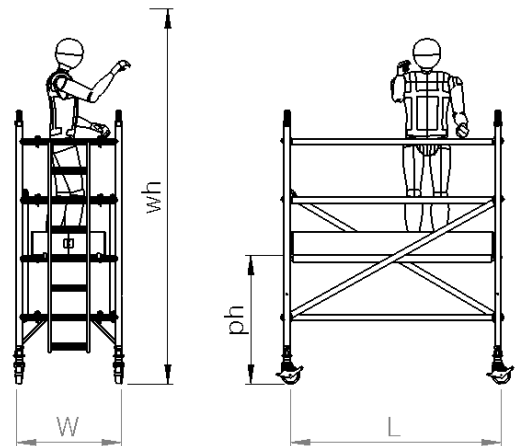
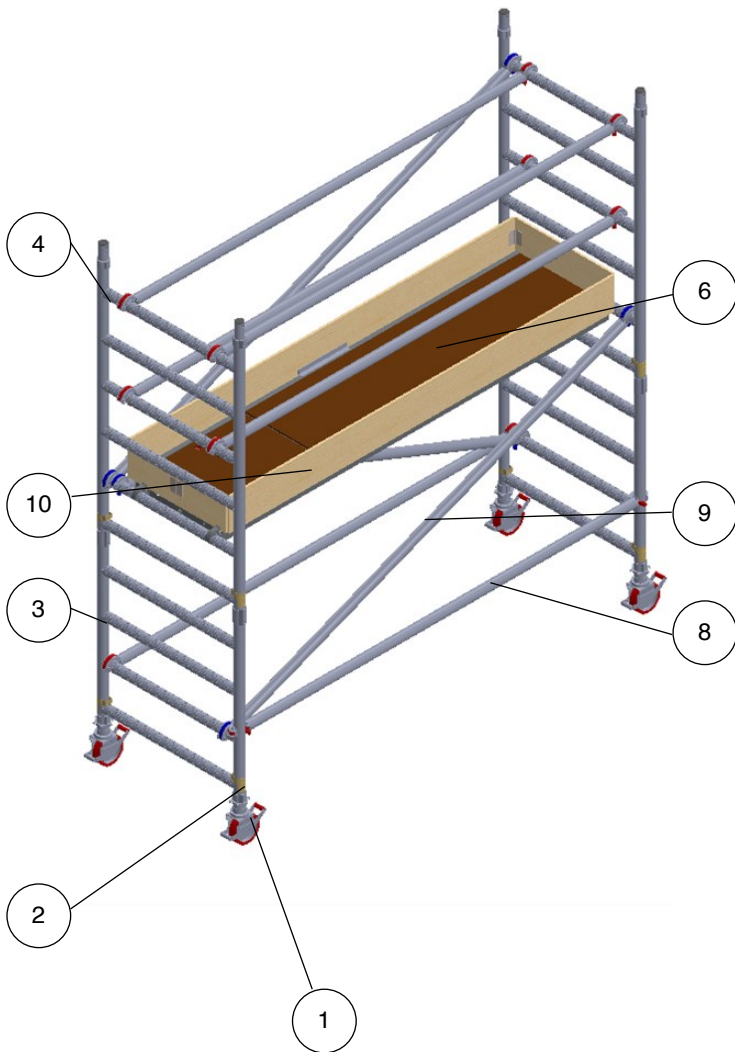


SERVICE YOU CAN TRUST

Single Width Tower 2.5m Long x 0.85m Wide	Working Height 3.7m	Platform Height 1.7m
---	-------------------------------	--------------------------------

Tower Components

Item	Description	Quantity
1	150mm Locking Caster	4
2	Adjustable Leg 500mm	4
3	1m 4 Rung Frame	2
4	1.5m 6 Rung Frame	2
5	2m 8 Rung Frame	0
6	2.5m Trapdoor Platform	1
7	2.5m Fixed Platform	0
8	2.5m Horizontal Brace	6
9	2.7m Diagonal Brace	3
10	Complete Toe Board Set	1
11	S1 Stabiliser	0
12	S2 Stabiliser	0
13	Instruction Manual & EN1004:-1:2020 certificate of conformity	1



Technical information:

Base Dimensions:	(L)2.5m X (W)0.85m
Maximum Platform Height (ph):	1.7m
Maximum Working Height (wh):	3.7m
Maximum Working Load Per Platform:	275kg
Maximum Working Load Per Tower: (including tower weight)	950kg
Weight:	89.1kg

Mr Plant Hire
120 Hertford Road Enfield
London EN3 5AX

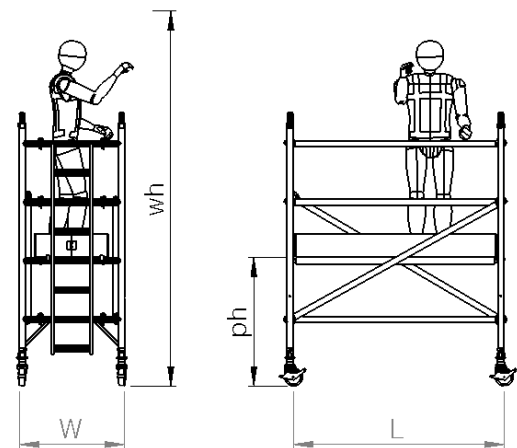
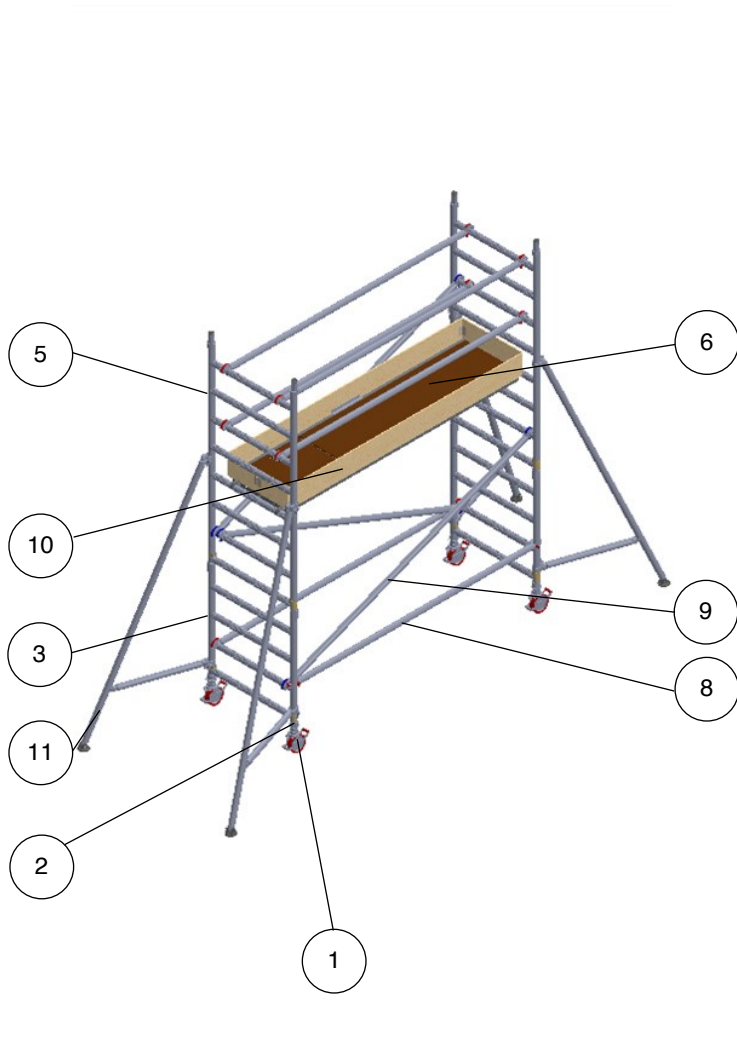
☎ 020 8351 3434
✉ info@mrplanthire.co.uk



Single Width Tower 2.5m Long x 0.85m Wide	Working Height 4.2m	Platform Height 2.2m
---	-------------------------------	--------------------------------

Tower Components

Item	Description	Quantity
1	150mm Locking Caster	4
2	Adjustable Leg 500mm	4
3	1m 4 Rung Frame	2
4	1.5m 6 Rung Frame	0
5	2m 8 Rung Frame	2
6	2.5m Trapdoor Platform	1
7	2.5m Fixed Platform	0
8	2.5m Horizontal Brace	6
9	2.7m Diagonal Brace	3
10	Complete Toe Board Set	1
11	S1 Stabiliser	4
12	S2 Stabiliser	0
13	Instruction Manual & EN1004:-1:2020 certificate of conformity	1



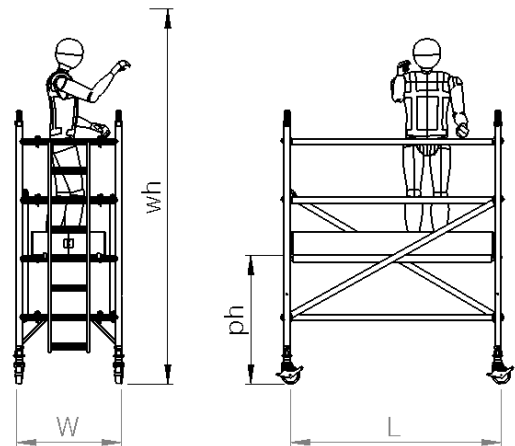
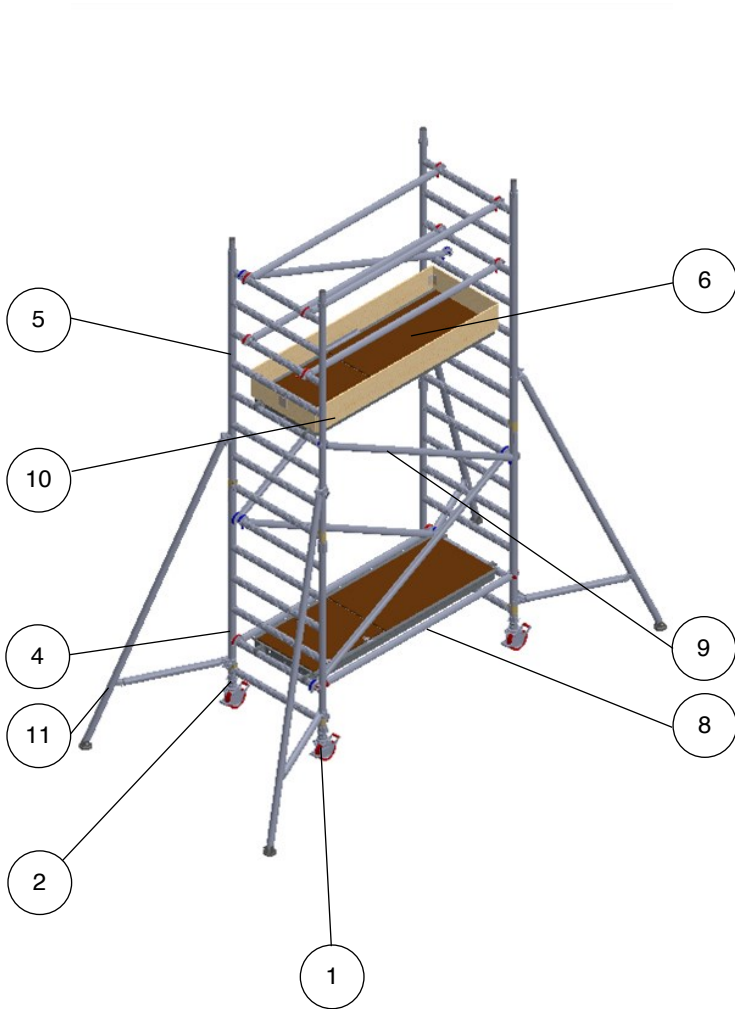
Technical information:

Base Dimensions:	(L)2.5m X (W)0.85m
Maximum Platform Height (ph):	2.2m
Maximum Working Height (wh):	4.2m
Maximum Working Load Per Platform:	275kg
Maximum Working Load Per Tower: (including tower weight)	950kg
Weight:	109.3kg

Single Width Tower 2.5m Long x 0.85m Wide	Working Height 4.7m	Platform Height 2.7m
---	-------------------------------	--------------------------------

Tower Components

Item	Description	Quantity
1	150mm Locking Caster	4
2	Adjustable Leg 500mm	4
3	1m 4 Rung Frame	0
4	1.5m 6 Rung Frame	2
5	2m 8 Rung Frame	2
6	2.5m Trapdoor Platform	2
7	2.5m Fixed Platform	0
8	2.5m Horizontal Brace	6
9	2.7m Diagonal Brace	4
10	Complete Toe Board Set	1
11	S1 Stabiliser	4
12	S2 Stabiliser	0
13	Instruction Manual & EN1004:-1:2020 certificate of conformity	1



Technical information:

Base Dimensions:	(L)2.5m X (W)0.85m
Maximum Platform Height (ph):	2.7m
Maximum Working Height (wh):	4.7m
Maximum Working Load Per Platform:	275kg
Maximum Working Load Per Tower: (including tower weight)	950kg
Weight:	133.8kg



SERVICE YOU CAN TRUST

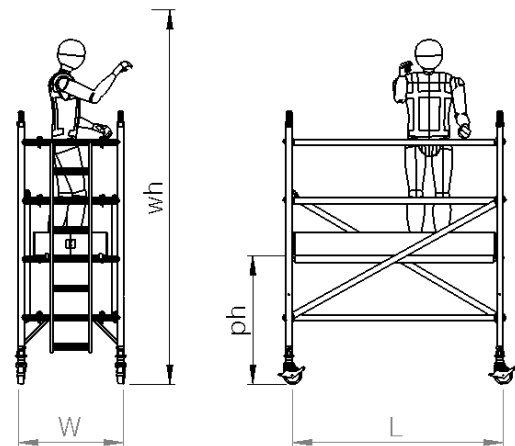
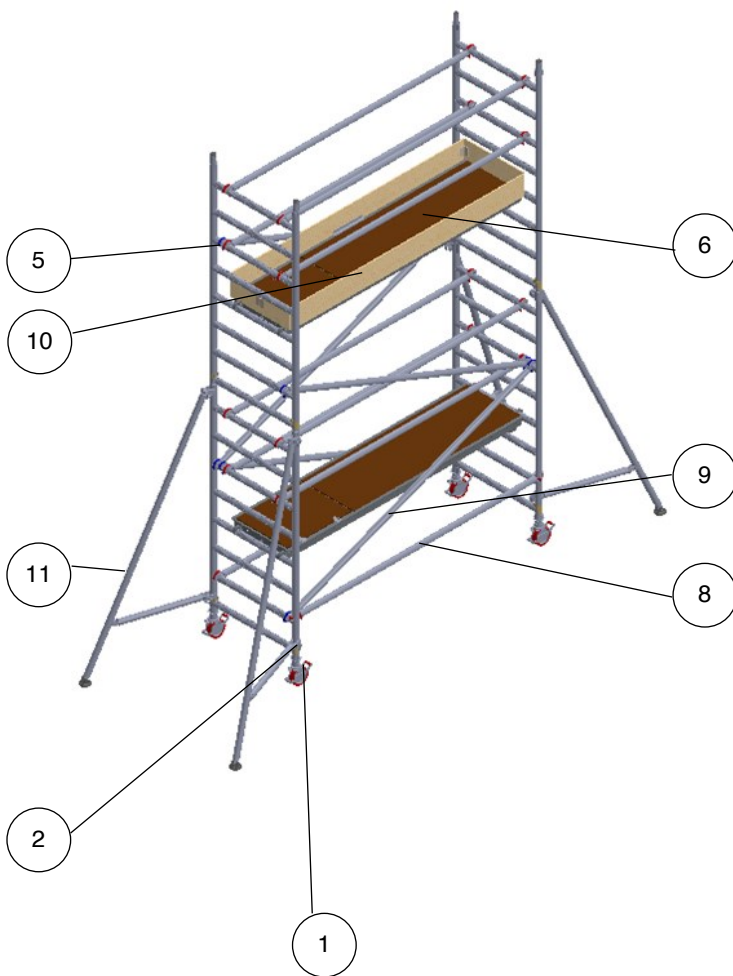
Single Width Tower
2.5m Long x 0.85m Wide

Working Height
5.2m

Platform Height
3.2m

Tower Components

Item	Description	Quantity
1	150mm Locking Caster	4
2	Adjustable Leg 500mm	4
3	1m 4 Rung Frame	0
4	1.5m 6 Rung Frame	0
5	2m 8 Rung Frame	4
6	2.5m Trapdoor Platform	2
7	2.5m Fixed Platform	0
8	2.5m Horizontal Brace	10
9	2.7m Diagonal Brace	5
10	Complete Toe Board Set	1
11	S1 Stabiliser	4
12	S2 Stabiliser	0
13	Instruction Manual & EN1004:-1:2020 certificate of conformity	1



Technical information:

Base Dimensions:	(L)2.5m X (W)0.85m
Maximum Platform Height (ph):	3.2m
Maximum Working Height (wh):	5.2m
Maximum Working Load Per Platform:	275kg
Maximum Working Load Per Tower: (including tower weight)	950kg
Weight:	149.5kg

Mr Plant Hire
120 Hertford Road Enfield
London EN3 5AX

☎ 020 8351 3434

✉ info@mrplanthire.co.uk



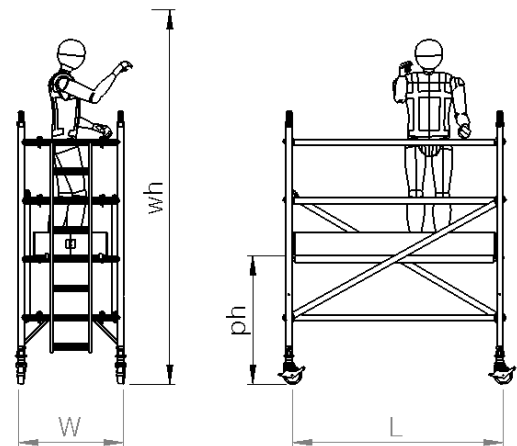
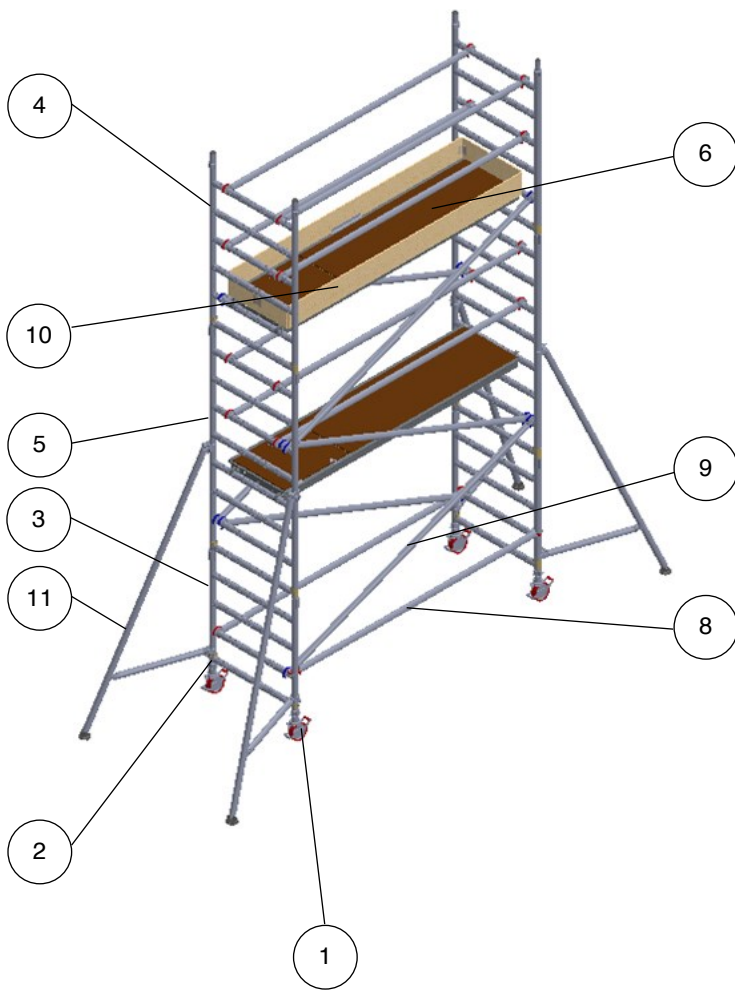


SERVICE YOU CAN TRUST

Single Width Tower 2.5m Long x 0.85m Wide	Working Height 5.7m	Platform Height 3.7m
--	------------------------	-------------------------

Tower Components

Item	Description	Quantity
1	150mm Locking Caster	4
2	Adjustable Leg 500mm	4
3	1m 4 Rung Frame	2
4	1.5m 6 Rung Frame	2
5	2m 8 Rung Frame	2
6	2.5m Trapdoor Platform	2
7	2.5m Fixed Platform	0
8	2.5m Horizontal Brace	10
9	2.7m Diagonal Brace	6
10	Complete Toe Board Set	1
11	S1 Stabiliser	4
12	S2 Stabiliser	0
13	Instruction Manual & EN1004:-1:2020 certificate of conformity	1



Technical information:

Base Dimensions:	(L)2.5m X (W)0.85m
Maximum Platform Height (ph):	3.7m
Maximum Working Height (wh):	5.7m
Maximum Working Load Per Platform:	275kg
Maximum Working Load Per Tower: (including tower weight)	950kg
Weight:	156.7kg

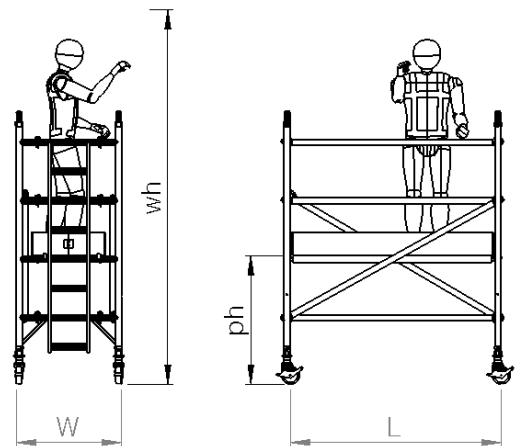
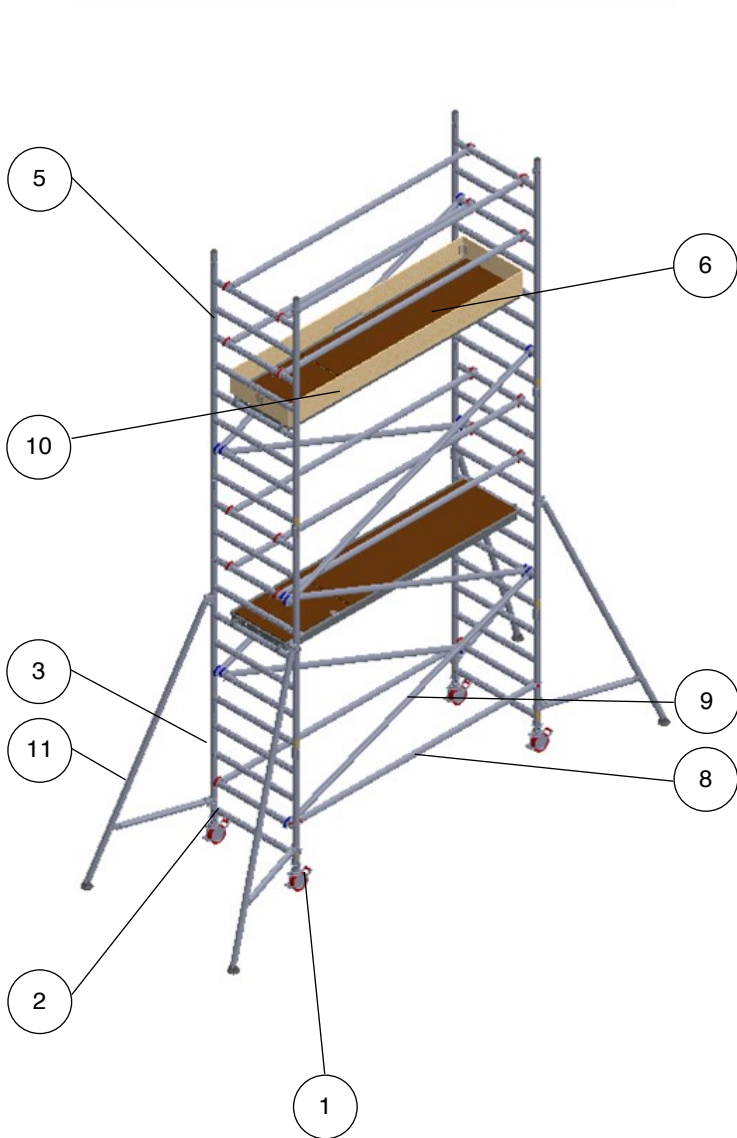


SERVICE YOU CAN TRUST

Single Width Tower 2.5m Long x 0.85m Wide	Working Height 6.2m	Platform Height 4.2m
---	-------------------------------	--------------------------------

Tower Components

Item	Description	Quantity
1	150mm Locking Caster	4
2	Adjustable Leg 500mm	4
3	1m 4 Rung Frame	2
4	1.5m 6 Rung Frame	0
5	2m 8 Rung Frame	4
6	2.5m Trapdoor Platform	2
7	2.5m Fixed Platform	0
8	2.5m Horizontal Brace	10
9	2.7m Diagonal Brace	7
10	Complete Toe Board Set	1
11	S1 Stabiliser	4
12	S2 Stabiliser	0
13	Instruction Manual & EN1004:-1:2020 certificate of conformity	1



Technical information:

Base Dimensions:	(L)2.5m X (W)0.85m
Maximum Platform Height (ph):	4.2m
Maximum Working Height (wh):	6.2m
Maximum Working Load Per Platform:	275kg
Maximum Working Load Per Tower: (including tower weight)	950kg
Weight:	162.9kg

Mr Plant Hire
120 Hertford Road Enfield
London EN3 5AX

☎ 020 8351 3434
✉ info@mrplanthire.co.uk

BS 8620:2016
TM1005
testandresearch.org



SERVICE YOU CAN TRUST

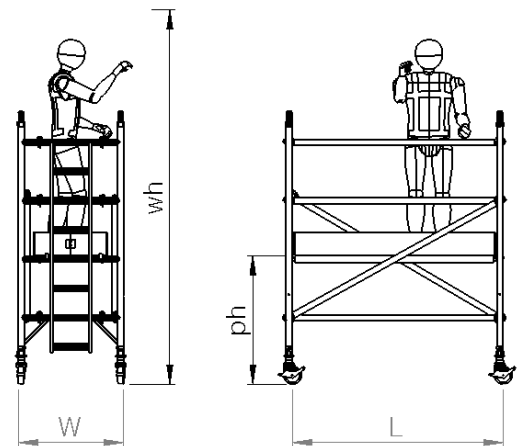
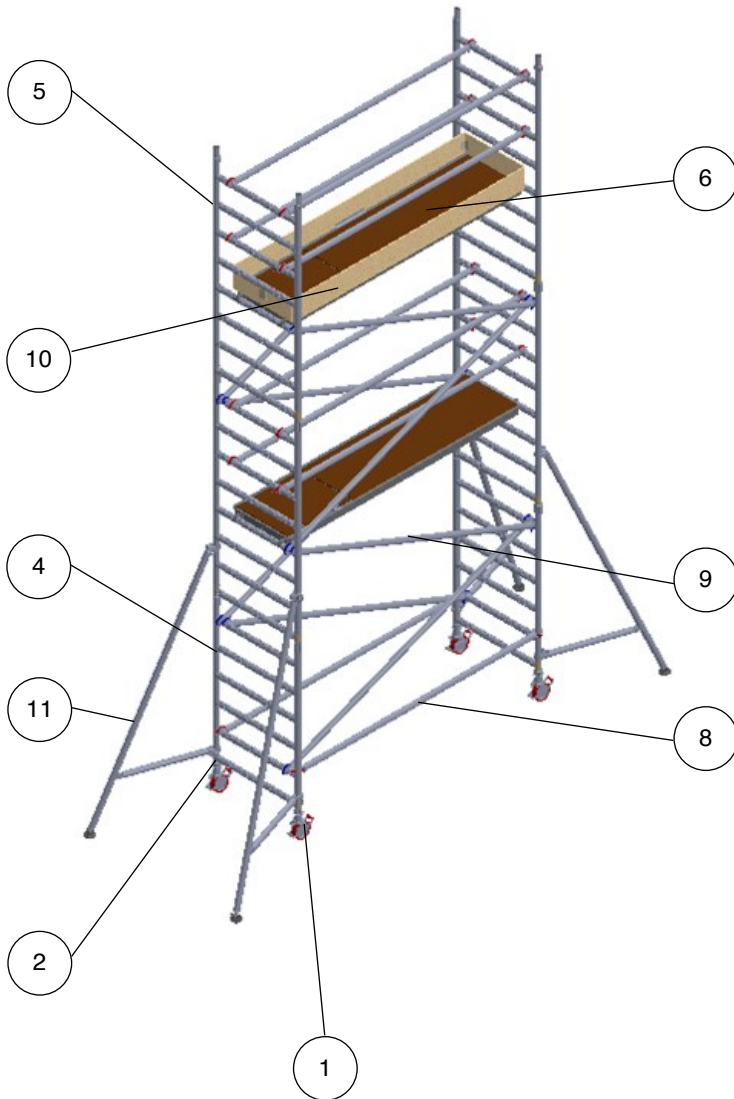
Single Width Tower
2.5m Long x 0.85m Wide

Working Height
6.7m

Platform Height
4.7m

Tower Components

Item	Description	Quantity
1	150mm Locking Caster	4
2	Adjustable Leg 500mm	4
3	1m 4 Rung Frame	0
4	1.5m 6 Rung Frame	2
5	2m 8 Rung Frame	4
6	2.5m Trapdoor Platform	2
7	2.5m Fixed Platform	0
8	2.5m Horizontal Brace	10
9	2.7m Diagonal Brace	8
10	Complete Toe Board Set	1
11	S1 Stabiliser	4
12	S2 Stabiliser	0
13	Instruction Manual & EN1004:-1:2020 certificate of conformity	1



Technical information:

Base Dimensions:	(L)2.5m X (W)0.85m
Maximum Platform Height (ph):	4.7m
Maximum Working Height (wh):	6.7m
Maximum Working Load Per Platform:	275kg
Maximum Working Load Per Tower: (including tower weight)	950kg
Weight:	171.4kg

Mr Plant Hire
120 Hertford Road Enfield
London EN3 5AX

☎ 020 8351 3434

✉ info@mrplanthire.co.uk





SERVICE YOU CAN TRUST

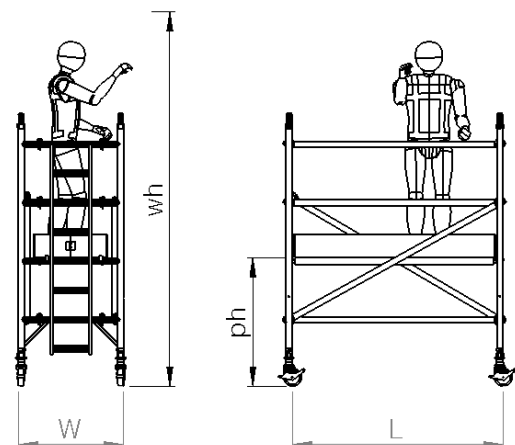
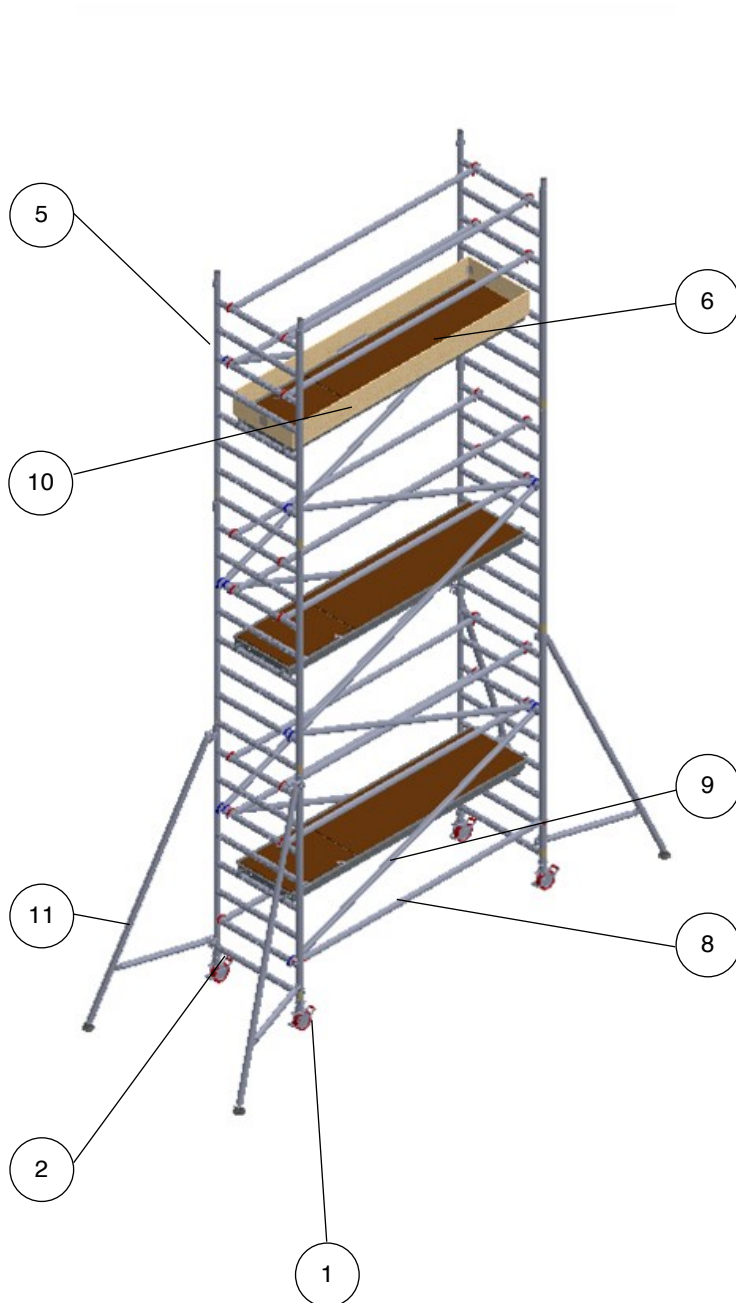
Single Width Tower
2.5m Long x 0.85m Wide

Working Height
7.2m

Platform Height
5.2m

Tower Components

Item	Description	Quantity
1	150mm Locking Caster	4
2	Adjustable Leg 500mm	4
3	1m 4 Rung Frame	0
4	1.5m 6 Rung Frame	0
5	2m 8 Rung Frame	6
6	2.5m Trapdoor Platform	3
7	2.5m Fixed Platform	0
8	2.5m Horizontal Brace	14
9	2.7m Diagonal Brace	9
10	Complete Toe Board Set	1
11	S1 Stabiliser	4
12	S2 Stabiliser	0
13	Instruction Manual & EN1004:-1:2020 certificate of conformity	1



Technical information:

Base Dimensions:	(L)2.5m X (W)0.85m
Maximum Platform Height (ph):	5.2m
Maximum Working Height (wh):	7.2m
Maximum Working Load Per Platform:	275kg
Maximum Working Load Per Tower: (including tower weight)	950kg
Weight:	203.1kg

Mr Plant Hire
120 Hertford Road Enfield
London EN3 5AX

☎ 020 8351 3434

✉ info@mrplanthire.co.uk



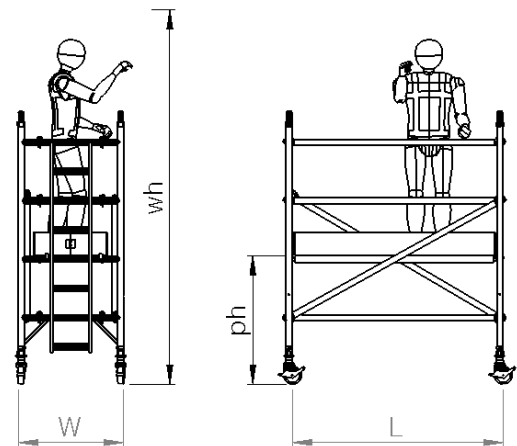
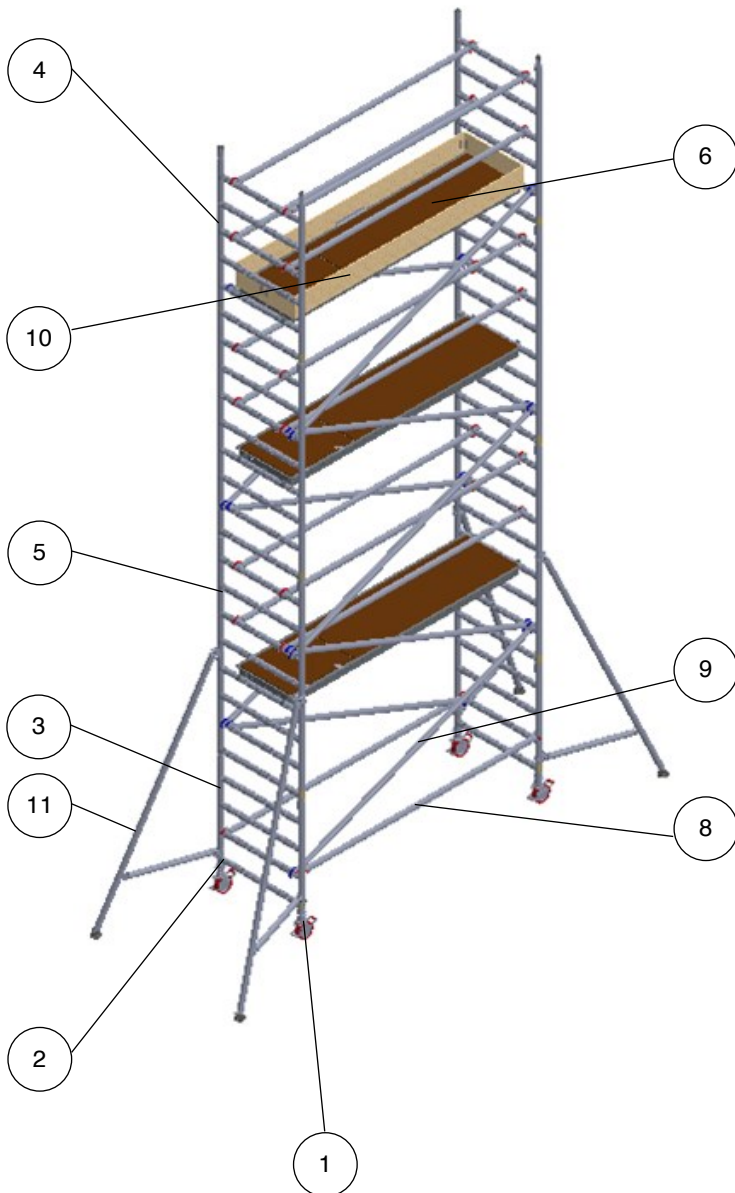


SERVICE YOU CAN TRUST

Single Width Tower 2.5m Long x 0.85m Wide	Working Height 7.7m	Platform Height 5.7m
---	-------------------------------	--------------------------------

Tower Components

Item	Description	Quantity
1	150mm Locking Caster	4
2	Adjustable Leg 500mm	4
3	1m 4 Rung Frame	2
4	1.5m 6 Rung Frame	2
5	2m 8 Rung Frame	4
6	2.5m Trapdoor Platform	3
7	2.5m Fixed Platform	0
8	2.5m Horizontal Brace	14
9	2.7m Diagonal Brace	10
10	Complete Toe Board Set	1
11	S1 Stabiliser	4
12	S2 Stabiliser	0
13	Instruction Manual & EN1004:-1:2020 certificate of conformity	1



Technical information:

Base Dimensions:	(L)2.5m X (W)0.85m
Maximum Platform Height (ph):	5.7m
Maximum Working Height (wh):	7.7m
Maximum Working Load Per Platform:	275kg
Maximum Working Load Per Tower: (including tower weight)	950kg
Weight:	210.3kg

Mr Plant Hire
120 Hertford Road Enfield
London EN3 5AX

☎ 020 8351 3434
✉ info@mrplanthire.co.uk

BS 8620:2016
TM1005
testandresearch.org

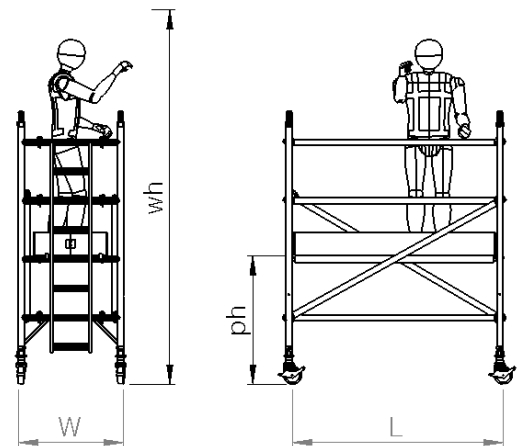
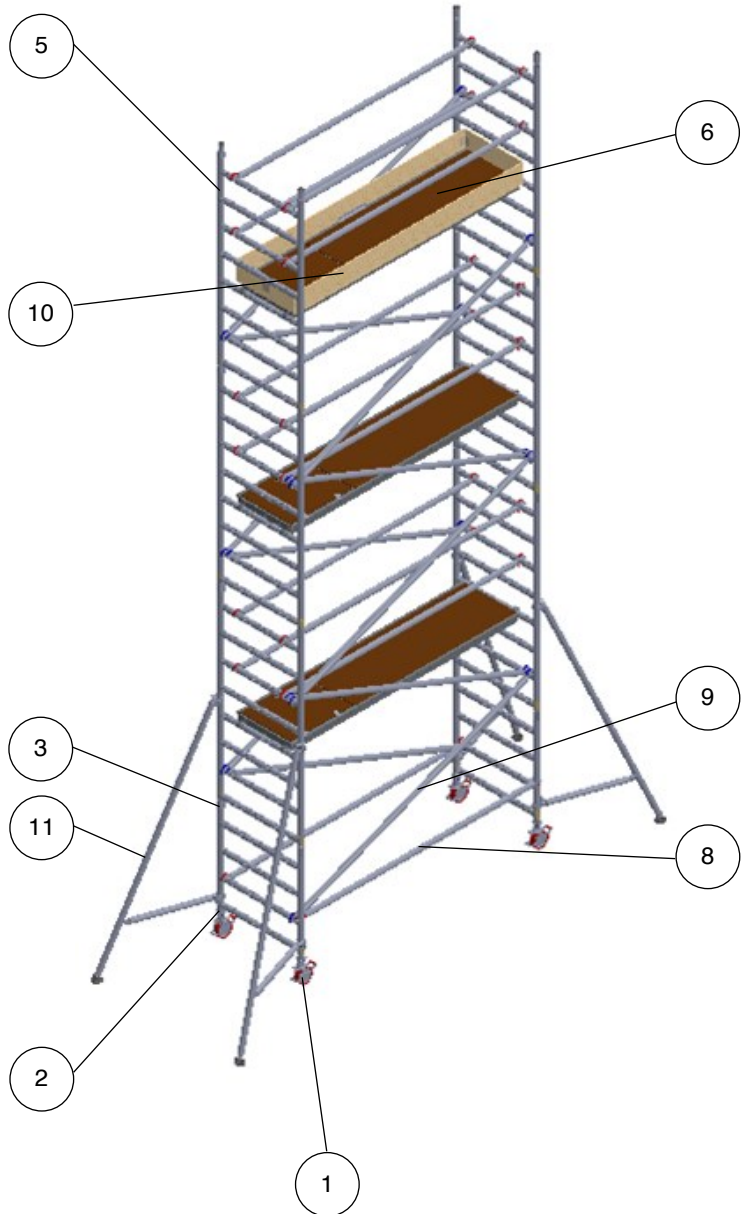


SERVICE YOU CAN TRUST

Single Width Tower 2.5m Long x 0.85m Wide	Working Height 8.2m	Platform Height 6.2m
---	-------------------------------	--------------------------------

Tower Components

Item	Description	Quantity
1	150mm Locking Caster	4
2	Adjustable Leg 500mm	4
3	1m 4 Rung Frame	2
4	1.5m 6 Rung Frame	0
5	2m 8 Rung Frame	6
6	2.5m Trapdoor Platform	3
7	2.5m Fixed Platform	0
8	2.5m Horizontal Brace	14
9	2.7m Diagonal Brace	11
10	Complete Toe Board Set	1
11	S1 Stabiliser	4
12	S2 Stabiliser	0
13	Instruction Manual & EN1004:-1:2020 certificate of conformity	1



Technical information:

Base Dimensions:	(L)2.5m X (W)0.85m
Maximum Platform Height (ph):	6.2m
Maximum Working Height (wh):	8.2m
Maximum Working Load Per Platform:	275kg
Maximum Working Load Per Tower: (including tower weight)	950kg
Weight:	216.5kg

Mr Plant Hire
120 Hertford Road Enfield
London EN3 5AX

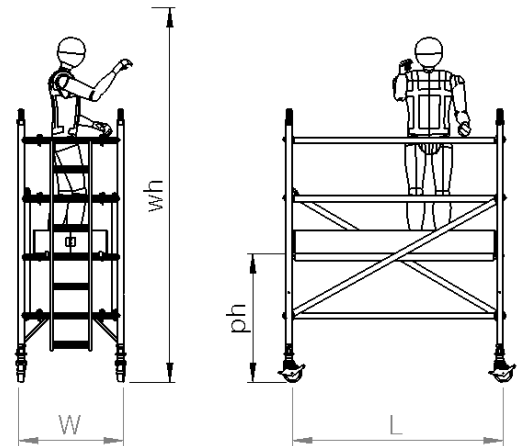
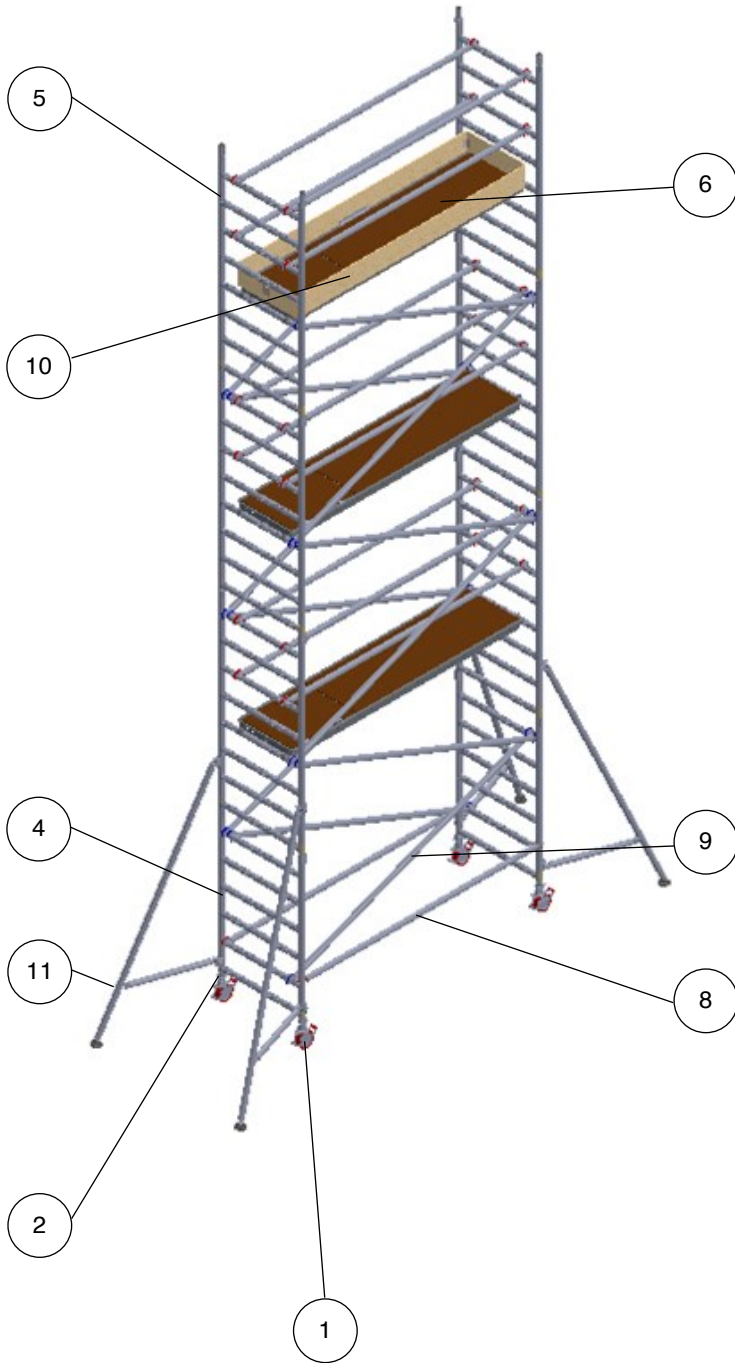
☎ 020 8351 3434
✉ info@mrplanthire.co.uk

BS 8620:2016
TM1005
testandresearch.org

Single Width Tower 2.5m Long x 0.85m Wide	Working Height 8.7m	Platform Height 6.7m
---	-------------------------------	--------------------------------

Tower Components

Item	Description	Quantity
1	150mm Locking Caster	4
2	Adjustable Leg 500mm	4
3	1m 4 Rung Frame	0
4	1.5m 6 Rung Frame	2
5	2m 8 Rung Frame	6
6	2.5m Trapdoor Platform	3
7	2.5m Fixed Platform	0
8	2.5m Horizontal Brace	14
9	2.7m Diagonal Brace	12
10	Complete Toe Board Set	1
11	S1 Stabiliser	4
12	S2 Stabiliser	0
13	Instruction Manual & EN1004:-1:2020 certificate of conformity	1



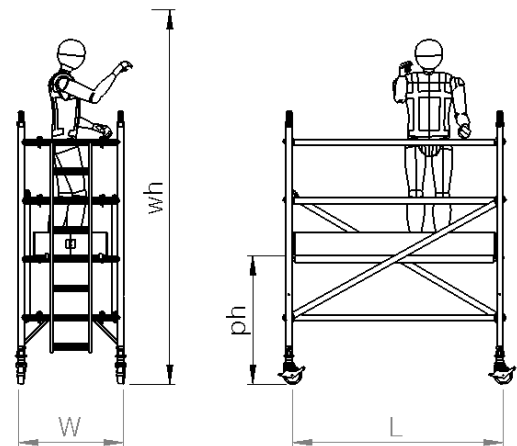
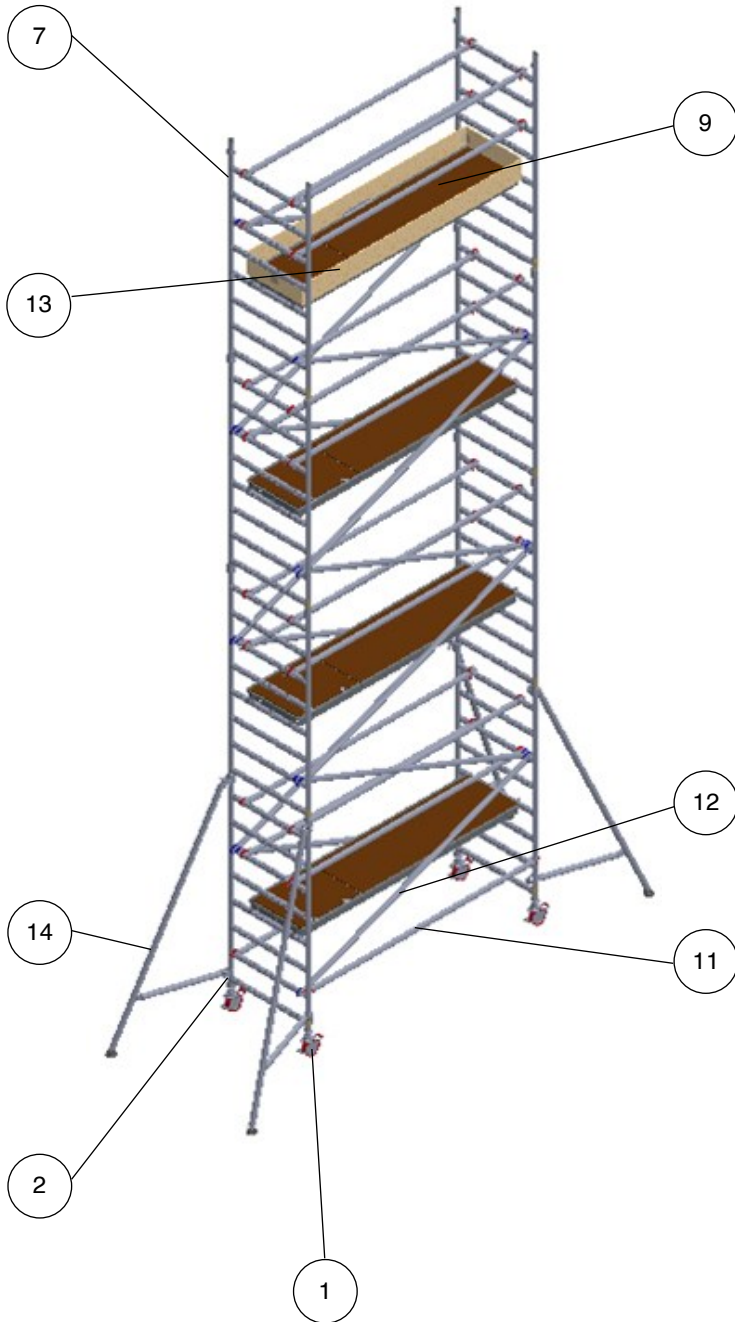
Technical information:

Base Dimensions:	(L)2.5m X (W)0.85m
Maximum Platform Height (ph):	6.7m
Maximum Working Height (wh):	8.7m
Maximum Working Load Per Platform:	275kg
Maximum Working Load Per Tower: (including tower weight)	950kg
Weight:	225kg

Single Width Tower 2.5m Long x 0.85m Wide	Working Height 9.2m	Platform Height 7.2m
---	-------------------------------	--------------------------------

Tower Components

Item	Description	Quantity
1	150mm Locking Caster	4
2	Adjustable Leg 500mm	4
3	1m 4 Rung Frame	0
4	1.5m 6 Rung Frame	0
5	2m 8 Rung Frame	8
6	2.5m Trapdoor Platform	4
7	2.5m Fixed Platform	0
8	2.5m Horizontal Brace	18
9	2.7m Diagonal Brace	13
10	Complete Toe Board Set	1
11	S1 Stabiliser	4
12	S2 Stabiliser	0
13	Instruction Manual & EN1004:-1:2020 certificate of conformity	1



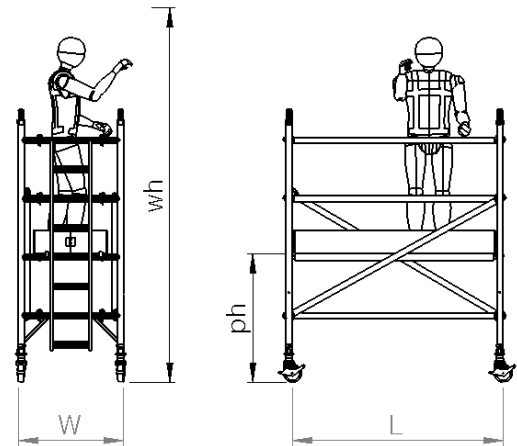
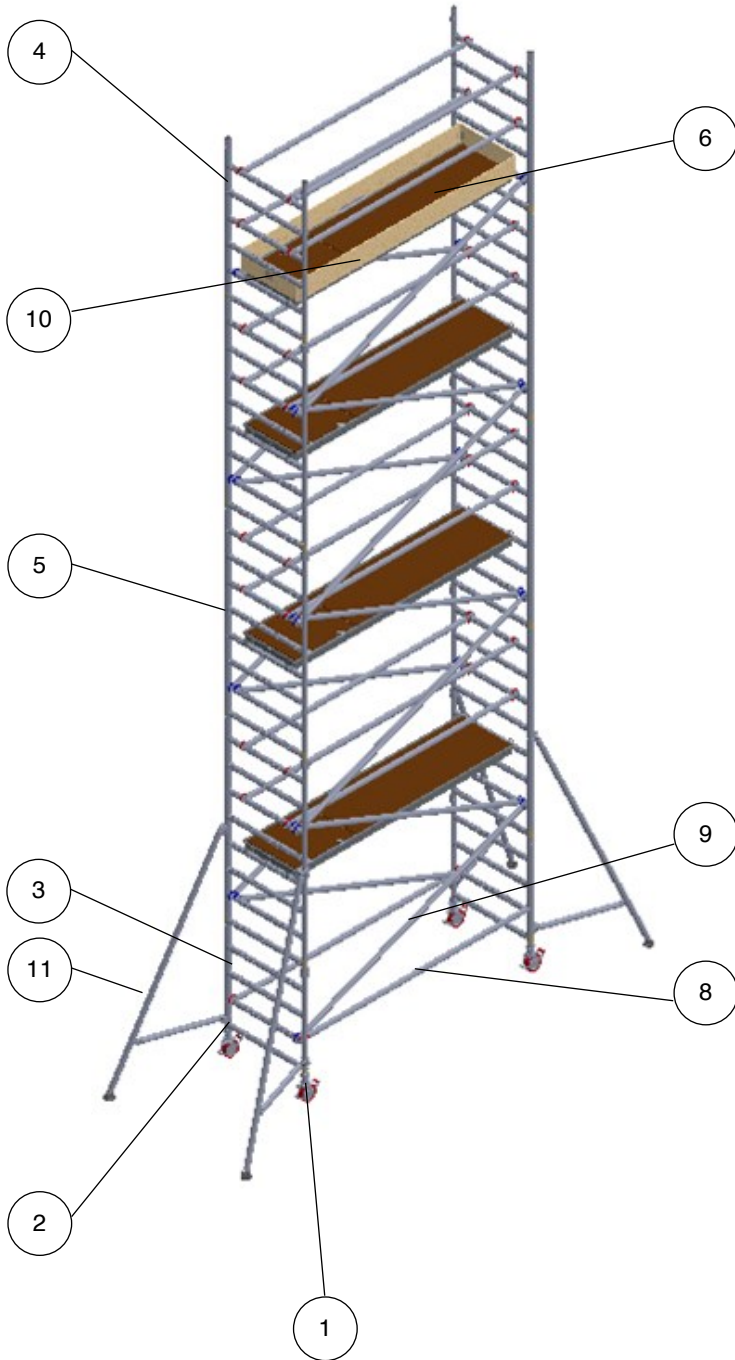
Technical information:

Base Dimensions:	(L)2.5m X (W)0.85m
Maximum Platform Height (ph):	7.2m
Maximum Working Height (wh):	9.2m
Maximum Working Load Per Platform:	275kg
Maximum Working Load Per Tower: (including tower weight)	950kg
Weight:	256.7kg

Single Width Tower	Working Height	Platform Height
2.5m Long x 0.85m Wide	9.7m	7.7m

Tower Components

Item	Description	Quantity
1	150mm Locking Caster	4
2	Adjustable Leg 500mm	4
3	1m 4 Rung Frame	2
4	1.5m 6 Rung Frame	2
5	2m 8 Rung Frame	6
6	2.5m Trapdoor Platform	4
7	2.5m Fixed Platform	0
8	2.5m Horizontal Brace	18
9	2.7m Diagonal Brace	14
10	Complete Toe Board Set	1
11	S1 Stabiliser	4
12	S2 Stabiliser	0
13	Instruction Manual & EN1004:-1:2020 certificate of conformity	1



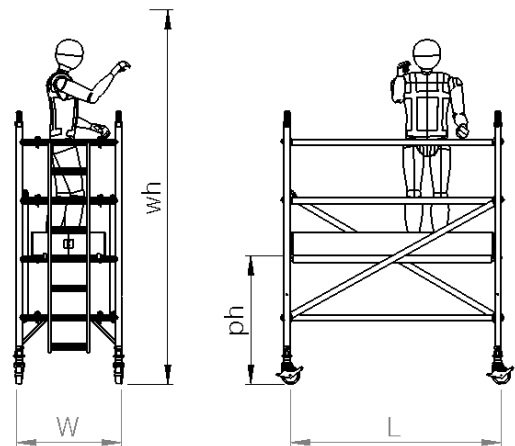
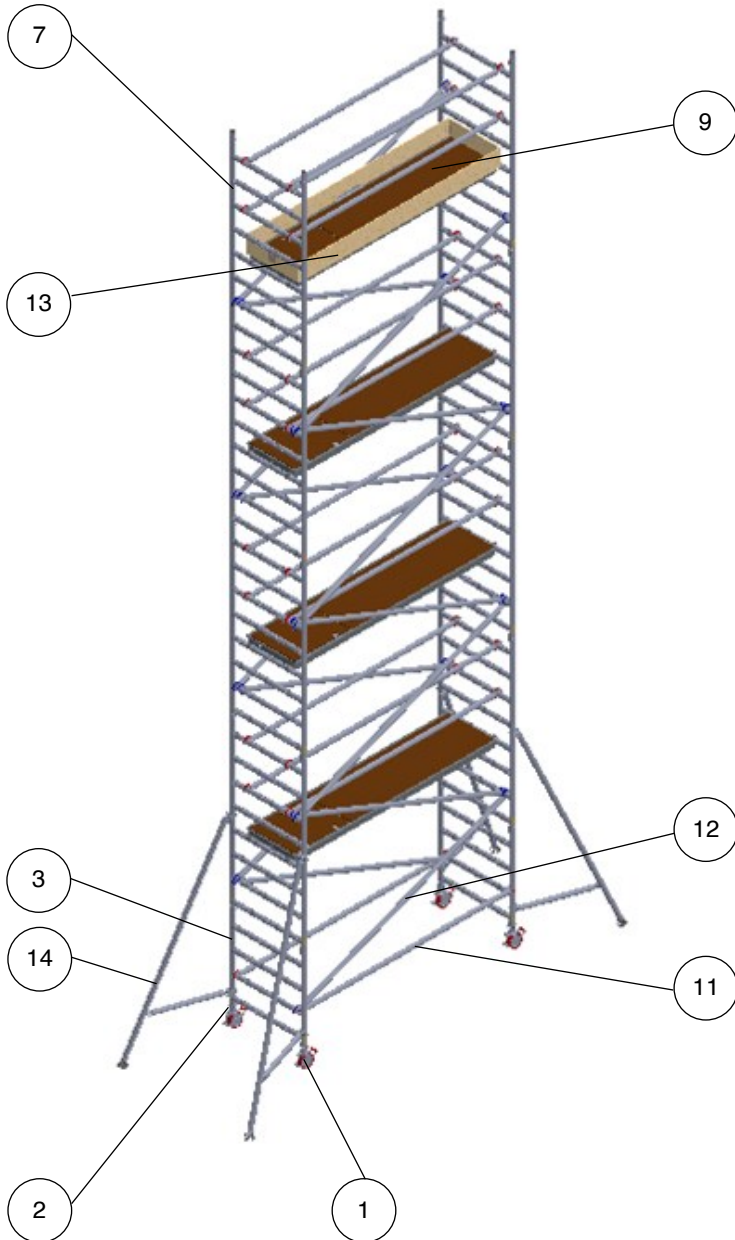
Technical information:

Base Dimensions:	(L)2.5m X (W)0.85m
Maximum Platform Height (ph):	7.7m
Maximum Working Height (wh):	9.7m
Maximum Working Load Per Platform:	275kg
Maximum Working Load Per Tower: (including tower weight)	950kg
Weight:	263.9kg

Single Width Tower 2.5m Long x 0.85m Wide	Working Height 10.2m	Platform Height 8.2m
---	--------------------------------	--------------------------------

Tower Components

Item	Description	Quantity
1	150mm Locking Caster	4
2	Adjustable Leg 500mm	4
3	1m 4 Rung Frame	2
4	1.5m 6 Rung Frame	0
5	2m 8 Rung Frame	8
6	2.5m Trapdoor Platform	4
7	2.5m Fixed Platform	0
8	2.5m Horizontal Brace	18
9	2.7m Diagonal Brace	15
10	Complete Toe Board Set	1
11	S1 Stabiliser	4
12	S2 Stabiliser	0
13	Instruction Manual & EN1004:-1:2020 certificate of conformity	1



Technical information:

Base Dimensions:	(L)2.5m X (W)0.85m
Maximum Platform Height (ph):	8.2m
Maximum Working Height (wh):	10.2m
Maximum Working Load Per Platform:	275kg
Maximum Working Load Per Tower: (including tower weight)	950kg
Weight:	270.1kg

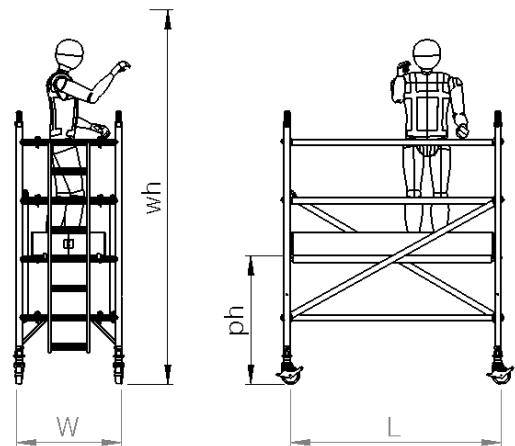
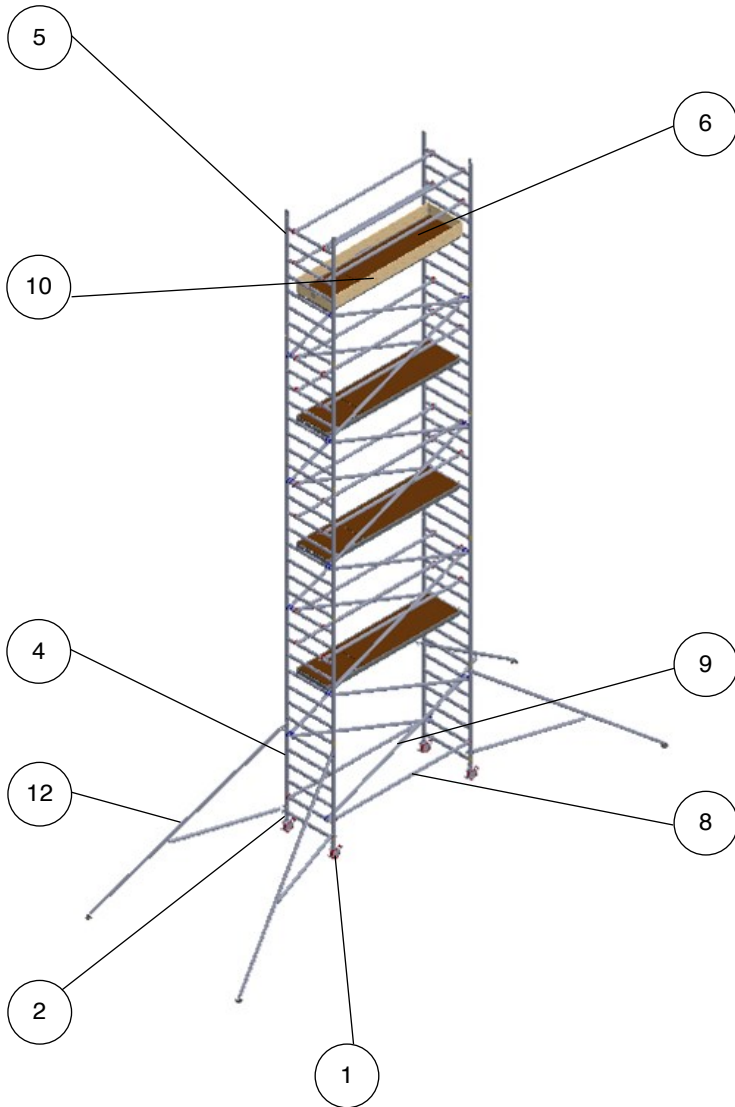


SERVICE YOU CAN TRUST

Single Width Tower 2.5m Long x 0.85m Wide	Working Height 10.7m	Platform Height 8.7m
---	--------------------------------	--------------------------------

Tower Components

Item	Description	Quantity
1	150mm Locking Caster	4
2	Adjustable Leg 500mm	4
3	1m 4 Rung Frame	0
4	1.5m 6 Rung Frame	2
5	2m 8 Rung Frame	8
6	2.5m Trapdoor Platform	4
7	2.5m Fixed Platform	0
8	2.5m Horizontal Brace	18
9	2.7m Diagonal Brace	16
10	Complete Toe Board Set	1
11	S1 Stabiliser	0
12	S2 Stabiliser	4
13	Instruction Manual & EN1004:-1:2020 certificate of conformity	1



Technical information:

Base Dimensions:	(L)2.5m X (W)0.85m
Maximum Platform Height (ph):	8.7m
Maximum Working Height (wh):	10.7m
Maximum Working Load Per Platform:	275kg
Maximum Working Load Per Tower: (including tower weight)	950kg
Weight:	285.8kg

Mr Plant Hire
120 Hertford Road Enfield
London EN3 5AX

☎ 020 8351 3434
✉ info@mrplanthire.co.uk

BS 8620:2016
TM1005
testandresearch.org

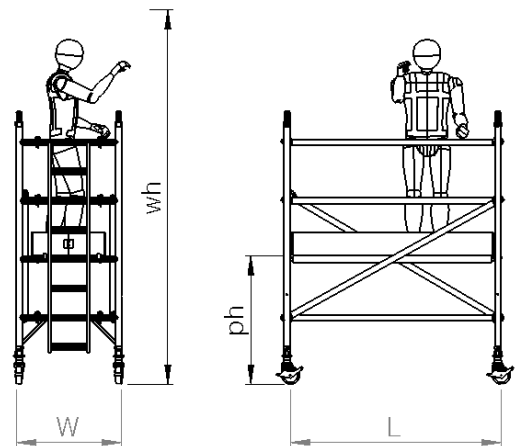
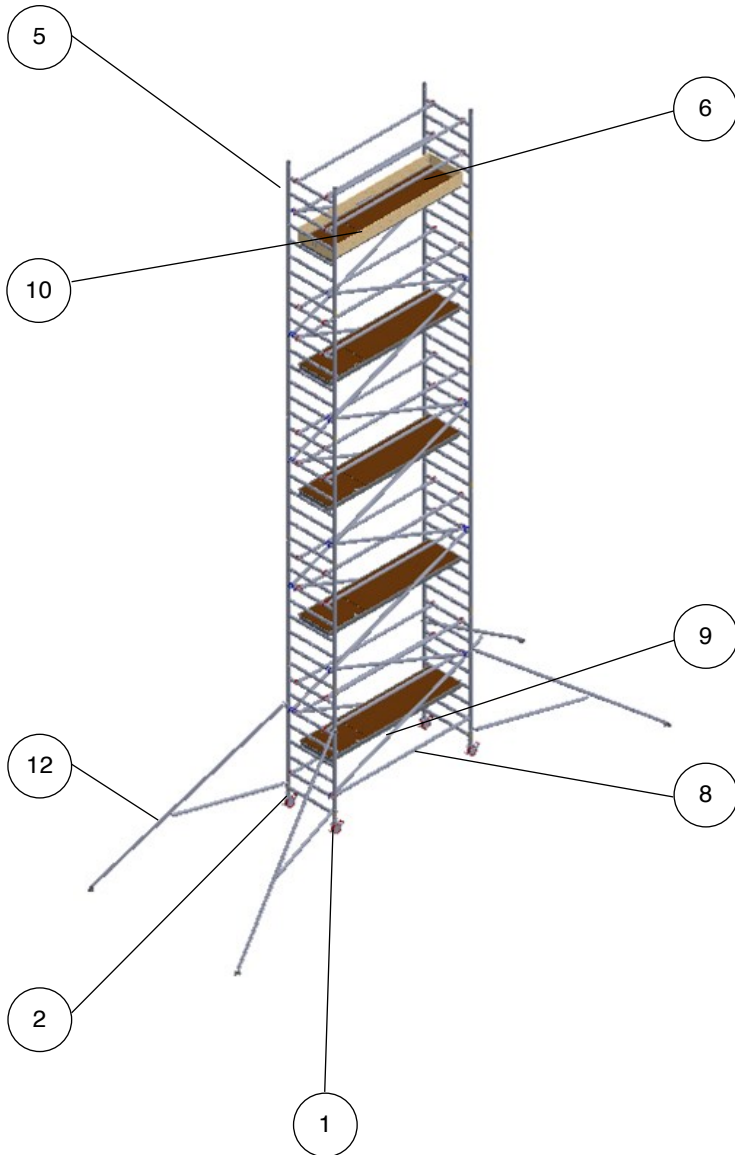


SERVICE YOU CAN TRUST

Single Width Tower 2.5m Long x 0.85m Wide	Working Height 11.2m	Platform Height 9.2m
---	--------------------------------	--------------------------------

Tower Components

Item	Description	Quantity
1	150mm Locking Caster	4
2	Adjustable Leg 500mm	4
3	1m 4 Rung Frame	0
4	1.5m 6 Rung Frame	0
5	2m 8 Rung Frame	10
6	2.5m Trapdoor Platform	5
7	2.5m Fixed Platform	0
8	2.5m Horizontal Brace	22
9	2.7m Diagonal Brace	17
10	Complete Toe Board Set	1
11	S1 Stabiliser	0
12	S2 Stabiliser	4
13	Instruction Manual & EN1004:-1:2020 certificate of conformity	1



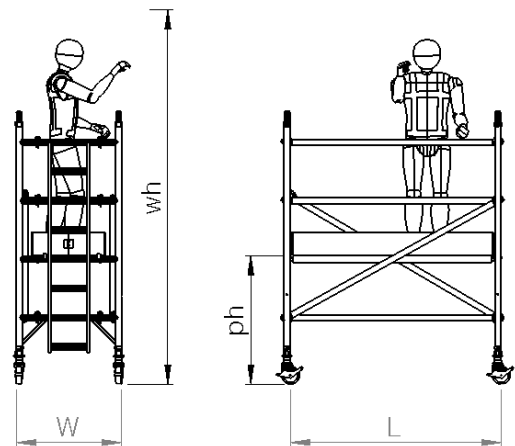
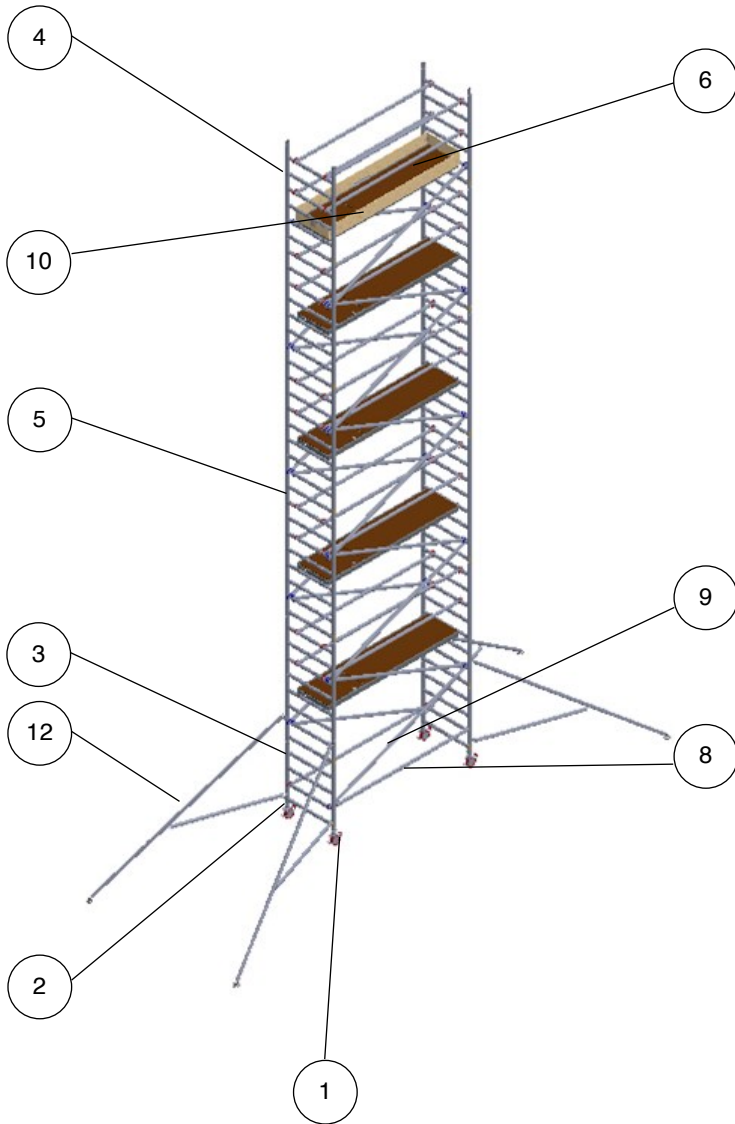
Technical information:

Base Dimensions:	(L)2.5m X (W)0.85m
Maximum Platform Height (ph):	9.2m
Maximum Working Height (wh):	11.2m
Maximum Working Load Per Platform:	275kg
Maximum Working Load Per Tower: (including tower weight)	950kg
Weight:	317.5kg

Single Width Tower 2.5m Long x 0.85m Wide	Working Height 11.7m	Platform Height 9.7m
---	--------------------------------	--------------------------------

Tower Components

Item	Description	Quantity
1	150mm Locking Caster	4
2	Adjustable Leg 500mm	4
3	1m 4 Rung Frame	2
4	1.5m 6 Rung Frame	2
5	2m 8 Rung Frame	8
6	2.5m Trapdoor Platform	5
7	2.5m Fixed Platform	0
8	2.5m Horizontal Brace	22
9	2.7m Diagonal Brace	18
10	Complete Toe Board Set	1
11	S1 Stabiliser	0
12	S2 Stabiliser	4
13	Instruction Manual & EN1004:-1:2020 certificate of conformity	1



Technical information:

Base Dimensions:	(L)2.5m X (W)0.85m
Maximum Platform Height (ph):	9.7m
Maximum Working Height (wh):	11.7m
Maximum Working Load Per Platform:	275kg
Maximum Working Load Per Tower: (including tower weight)	950kg
Weight:	324.7kg

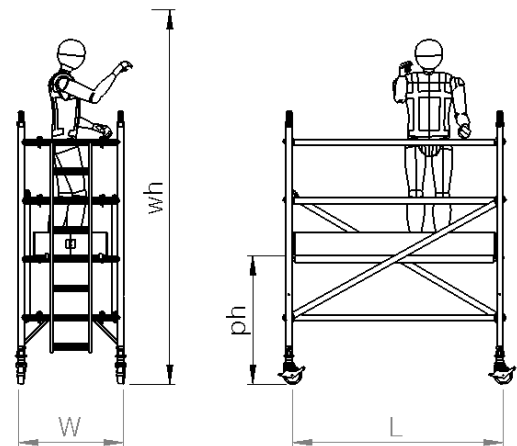
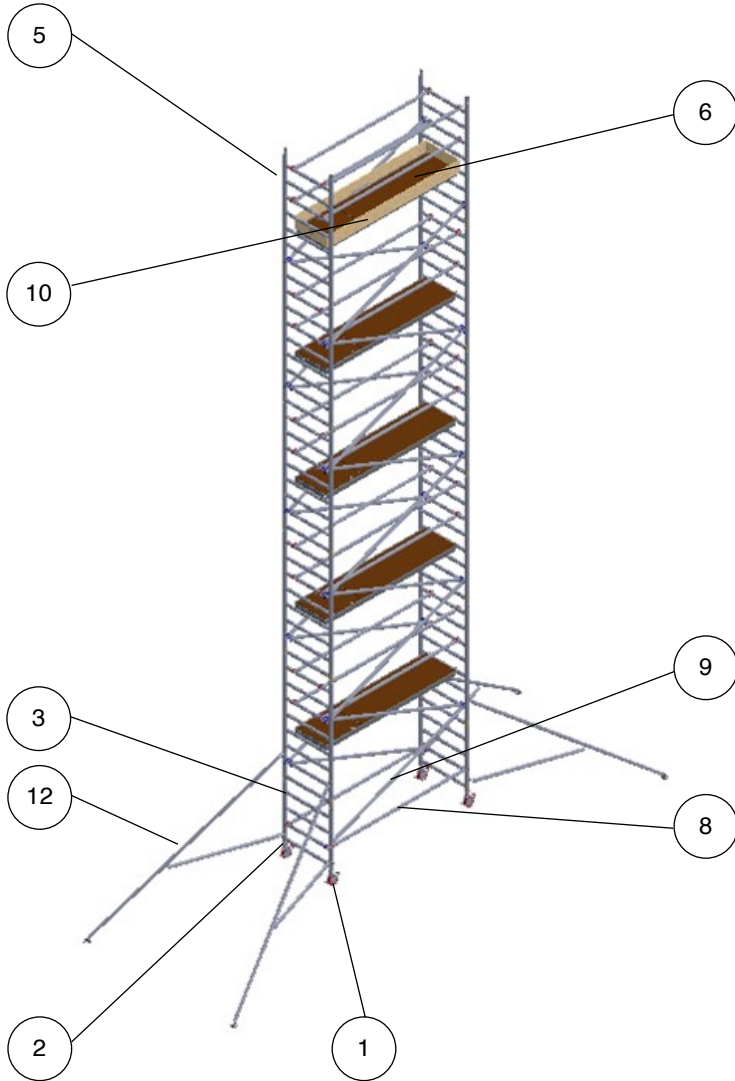


SERVICE YOU CAN TRUST

Single Width Tower 2.5m Long x 0.85m Wide	Working Height 12.2m	Platform Height 10.2m
---	--------------------------------	---------------------------------

Tower Components

Item	Description	Quantity
1	150mm Locking Caster	4
2	Adjustable Leg 500mm	4
3	1m 4 Rung Frame	1
4	1.5m 6 Rung Frame	0
5	2m 8 Rung Frame	10
6	2.5m Trapdoor Platform	5
7	2.5m Fixed Platform	0
8	2.5m Horizontal Brace	22
9	2.7m Diagonal Brace	19
10	Complete Toe Board Set	1
11	S1 Stabiliser	0
12	S2 Stabiliser	4
13	Instruction Manual & EN1004:-1:2020 certificate of conformity	1



Technical information:

Base Dimensions:	(L)2.5m X (W)0.85m
Maximum Platform Height (ph):	10.2m
Maximum Working Height (wh):	12.2m
Maximum Working Load Per Platform:	275kg
Maximum Working Load Per Tower: (including tower weight)	950kg
Weight:	330.9kg

Mr Plant Hire
120 Hertford Road Enfield
London EN3 5AX

☎ 020 8351 3434
✉ info@mrplanthire.co.uk



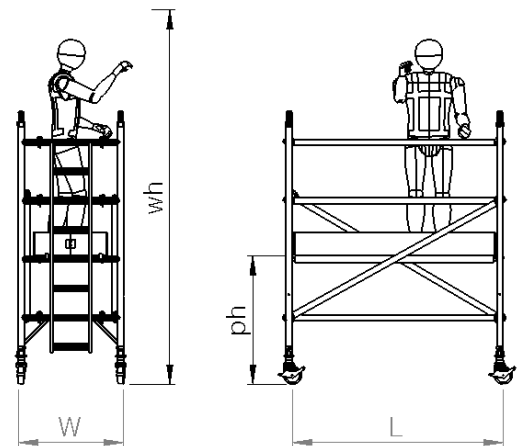
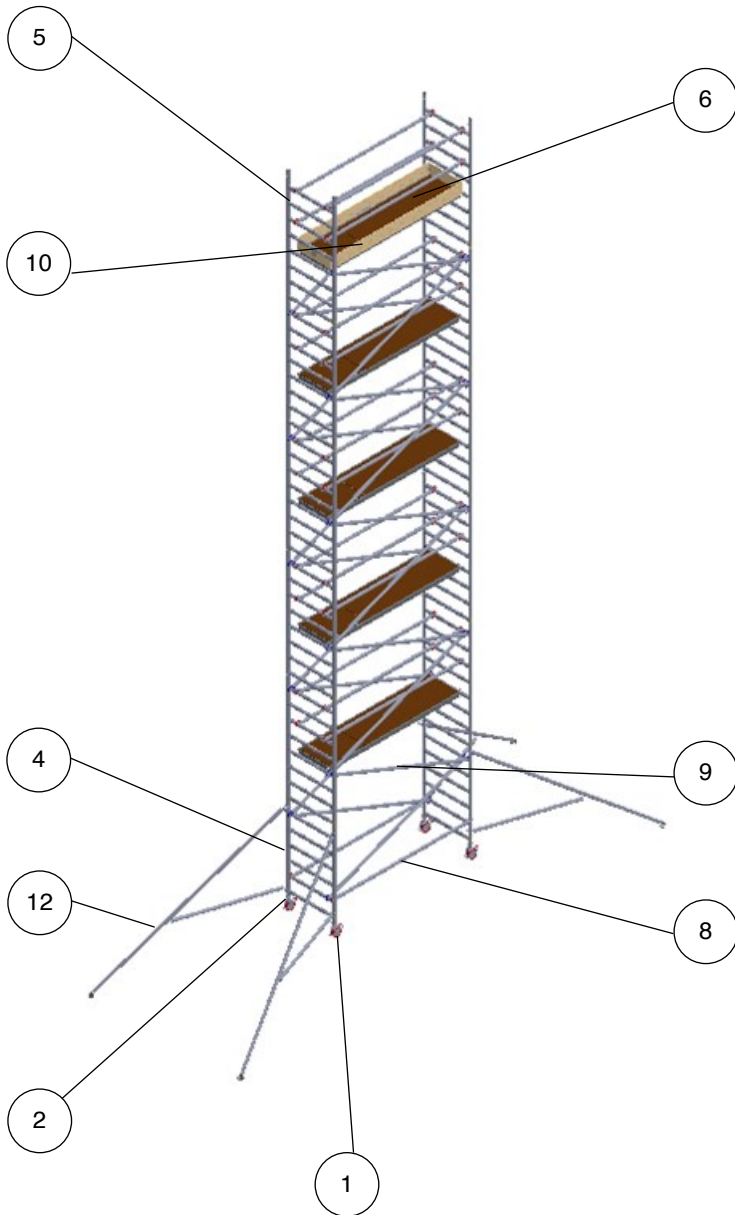


SERVICE YOU CAN TRUST

Single Width Tower 2.5m Long x 0.85m Wide	Working Height 12.7m	Platform Height 10.7m
---	--------------------------------	---------------------------------

Tower Components

Item	Description	Quantity
1	150mm Locking Caster	4
2	Adjustable Leg 500mm	4
3	1m 4 Rung Frame	0
4	1.5m 6 Rung Frame	2
5	2m 8 Rung Frame	10
6	2.5m Trapdoor Platform	5
7	2.5m Fixed Platform	0
8	2.5m Horizontal Brace	22
9	2.7m Diagonal Brace	20
10	Complete Toe Board Set	1
11	S1 Stabiliser	0
12	S2 Stabiliser	4
13	Instruction Manual & EN1004:-1:2020 certificate of conformity	1



Technical information:

Base Dimensions:	(L)2.5m X (W)0.85m
Maximum Platform Height (ph):	10.7m
Maximum Working Height (wh):	12.7m
Maximum Working Load Per Platform:	275kg
Maximum Working Load Per Tower: (including tower weight)	950kg
Weight:	339.4kg

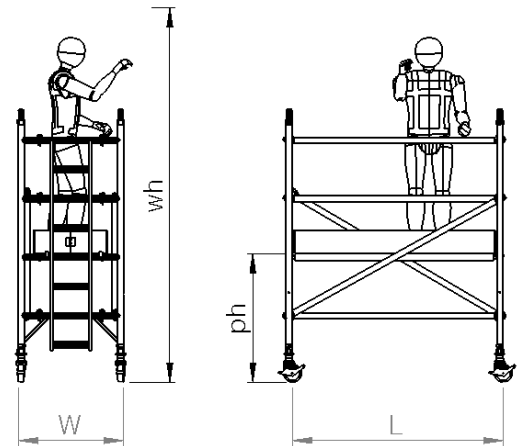
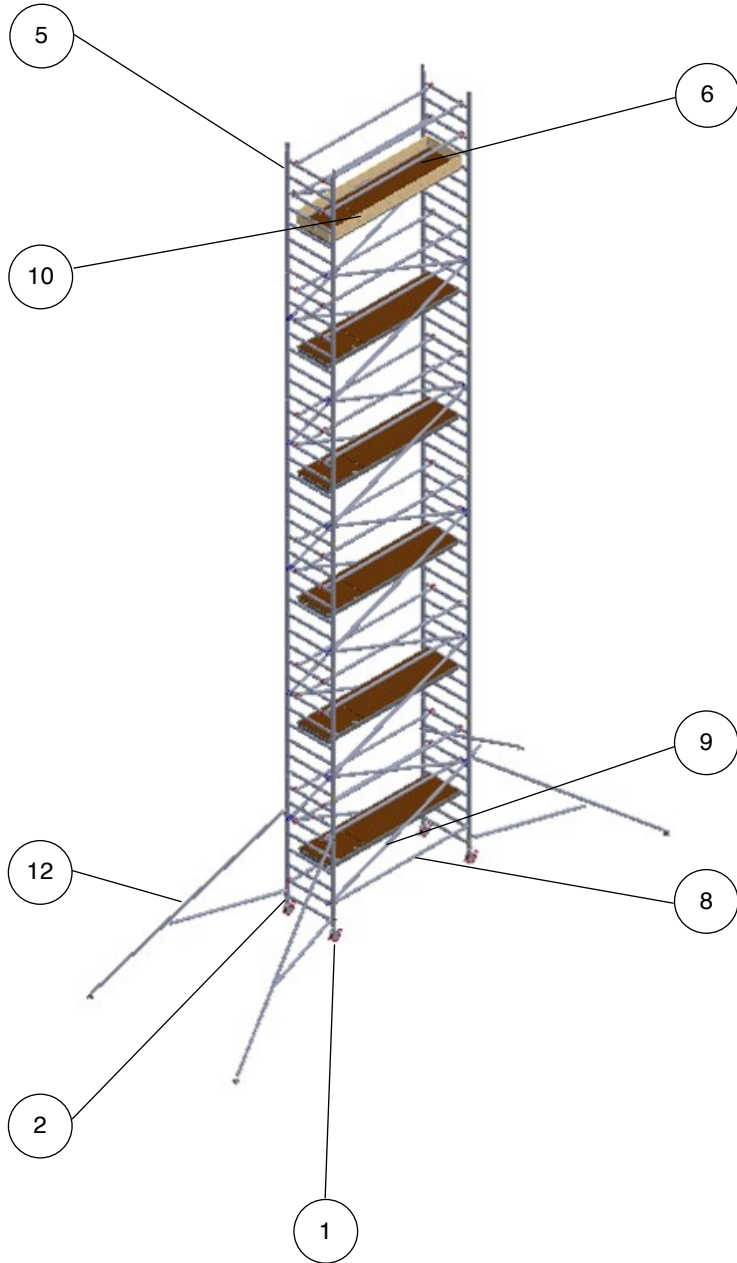


SERVICE YOU CAN TRUST

Single Width Tower 2.5m Long x 0.85m Wide	Working Height 13.2m	Platform Height 11.2m
---	--------------------------------	---------------------------------

Tower Components

Item	Description	Quantity
1	150mm Locking Caster	4
2	Adjustable Leg 500mm	4
3	1m 4 Rung Frame	0
4	1.5m 6 Rung Frame	0
5	2m 8 Rung Frame	12
6	2.5m Trapdoor Platform	6
7	2.5m Fixed Platform	0
8	2.5m Horizontal Brace	26
9	2.7m Diagonal Brace	21
10	Complete Toe Board Set	1
11	S1 Stabiliser	0
12	S2 Stabiliser	4
13	Instruction Manual & EN1004:-1:2020 certificate of conformity	1



Technical information:

Base Dimensions:	(L)2.5m X (W)0.85m
Maximum Platform Height (ph):	11.2m
Maximum Working Height (wh):	13.2m
Maximum Working Load Per Platform:	275kg
Maximum Working Load Per Tower: (including tower weight)	950kg
Weight:	371.1kg

Mr Plant Hire
120 Hertford Road Enfield
London EN3 5AX

☎ 020 8351 3434
✉ info@mrplanthire.co.uk

BS 8620:2016
TM1005
testandresearch.org

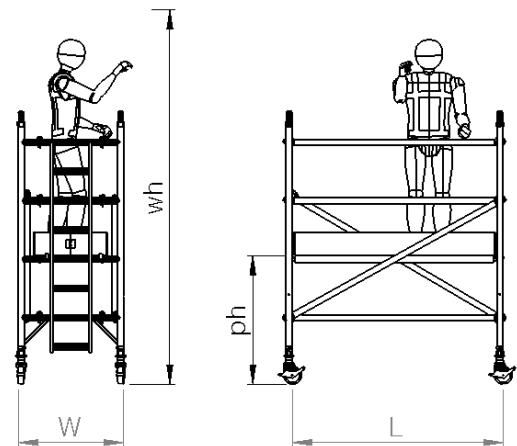
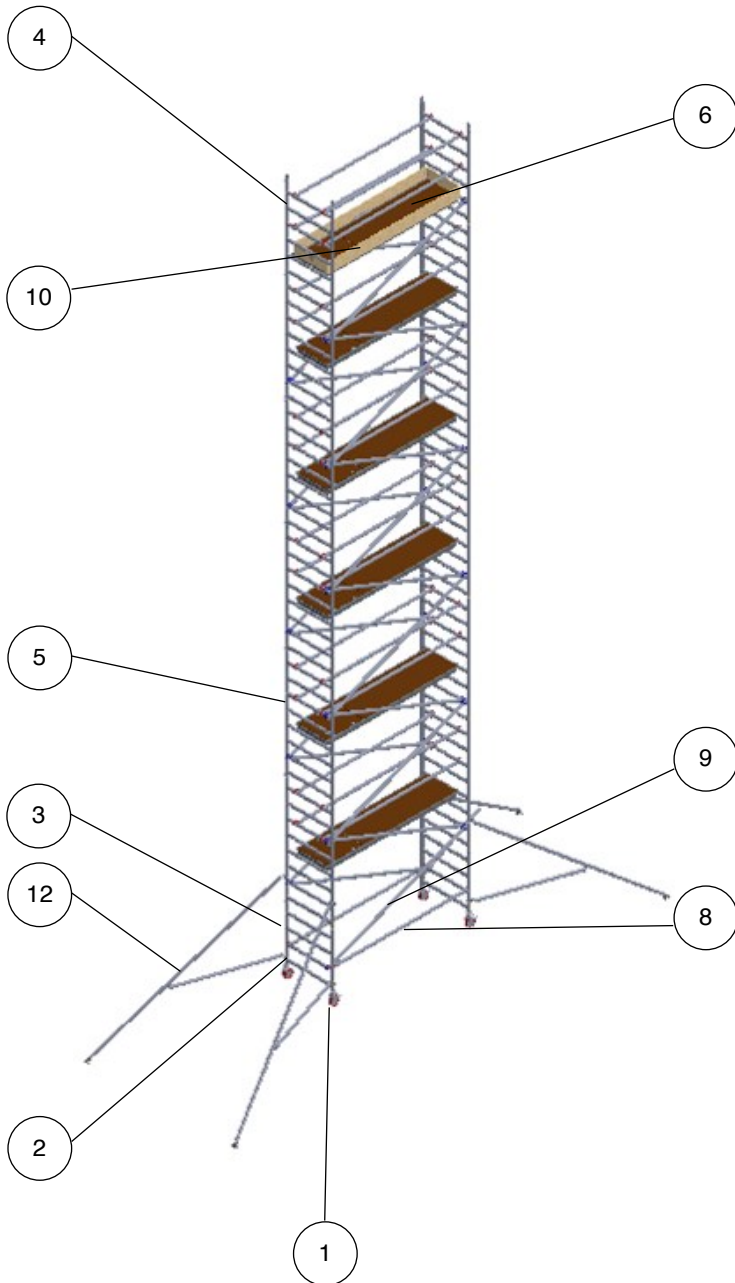


SERVICE YOU CAN TRUST

Single Width Tower 2.5m Long x 0.85m Wide	Working Height 13.7m	Platform Height 11.7m
---	--------------------------------	---------------------------------

Tower Components

Item	Description	Quantity
1	150mm Locking Caster	4
2	Adjustable Leg 500mm	4
3	1m 4 Rung Frame	2
4	1.5m 6 Rung Frame	2
5	2m 8 Rung Frame	10
6	2.5m Trapdoor Platform	6
7	2.5m Fixed Platform	0
8	2.5m Horizontal Brace	26
9	2.7m Diagonal Brace	22
10	Complete Toe Board Set	1
11	S1 Stabiliser	0
12	S2 Stabiliser	4
13	Instruction Manual & EN1004:-1:2020 certificate of conformity	1



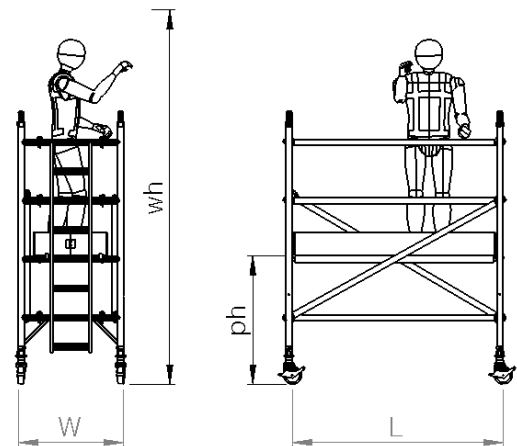
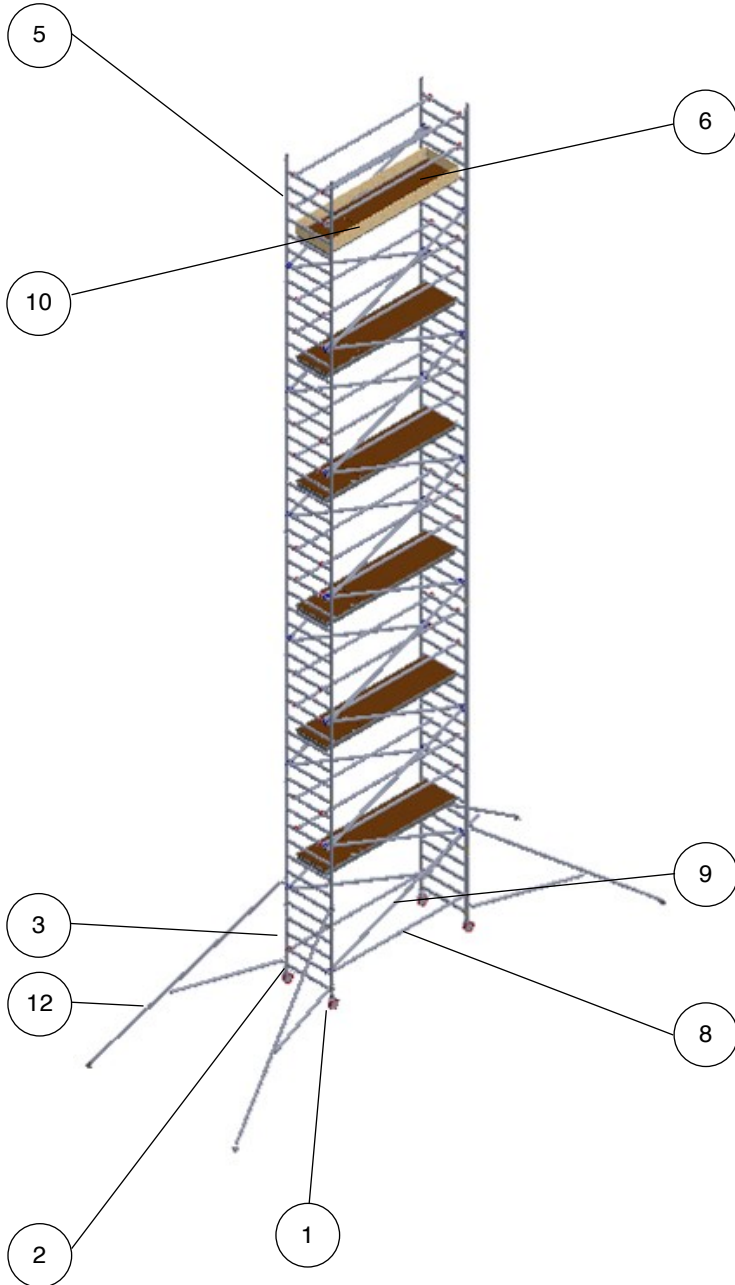
Technical information:

Base Dimensions:	(L)2.5m X (W)0.85m
Maximum Platform Height (ph):	11.7m
Maximum Working Height (wh):	13.7m
Maximum Working Load Per Platform:	275kg
Maximum Working Load Per Tower: (including tower weight)	950kg
Weight:	378.3kg

Single Width Tower 2.5m Long x 0.85m Wide	Working Height 14.2m	Platform Height 12.2m
---	--------------------------------	---------------------------------

Tower Components

Item	Description	Quantity
1	150mm Locking Caster	4
2	Adjustable Leg 500mm	4
3	1m 4 Rung Frame	2
4	1.5m 6 Rung Frame	0
5	2m 8 Rung Frame	12
6	2.5m Trapdoor Platform	6
7	2.5m Fixed Platform	0
8	2.5m Horizontal Brace	26
9	2.7m Diagonal Brace	23
10	Complete Toe Board Set	1
11	S1 Stabiliser	0
12	S2 Stabiliser	4
13	Instruction Manual & EN1004:-1:2020 certificate of conformity	1



Technical information:

Base Dimensions:	(L)2.5m X (W)0.85m
Maximum Platform Height (ph):	12.2m
Maximum Working Height (wh):	14.2m
Maximum Working Load Per Platform:	275kg
Maximum Working Load Per Tower: (including tower weight)	950kg
Weight:	384.5kg